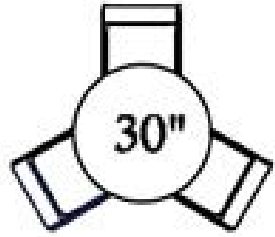
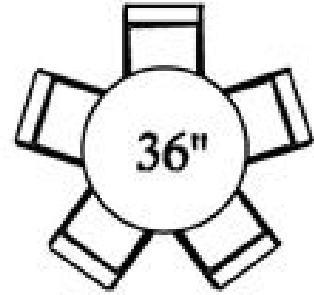


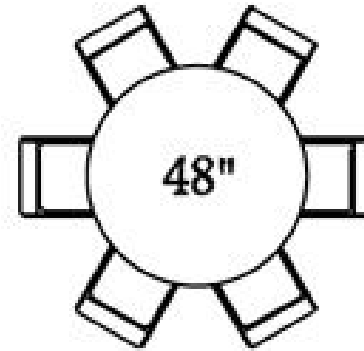
Tables at 30" height



Bistro Height
Recommended Seats 3 – 4
90" Linen to the Floor

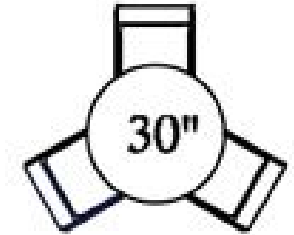


Bistro Height
Recommended Seats 5
96" Linen to the Floor

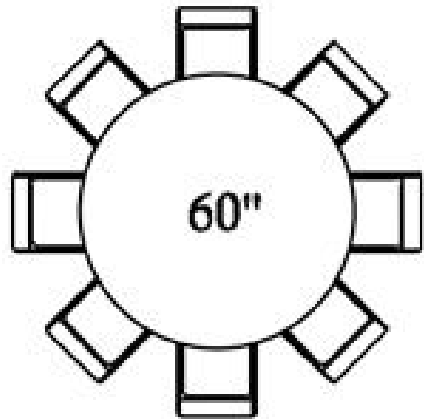


Bistro Height
Recommended Seats 6
108" Linen to the Floor

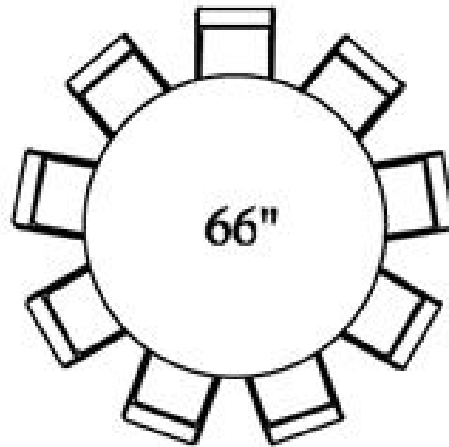
Tables at 42" high



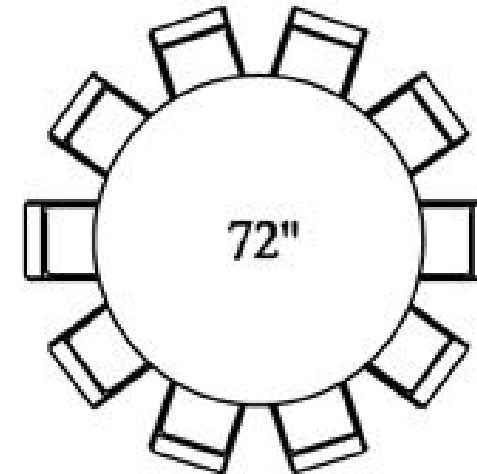
High top table
Recommended Seats 3 - 4
120" Linen to the Floor



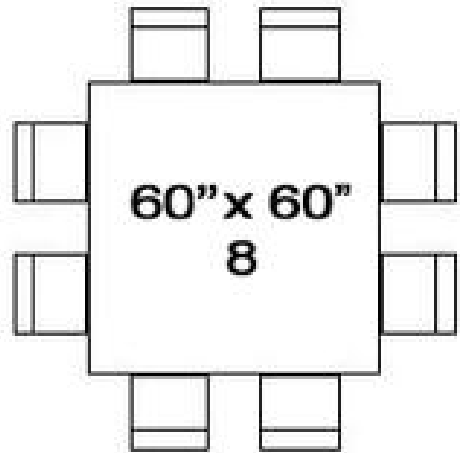
Recommended Seats - 8
120" Linen to the floor
108" Linen 6" Off-Ground



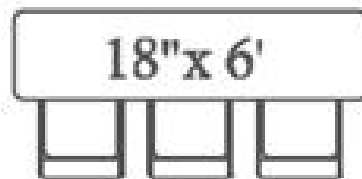
Recommended Seats -10
126" Linen to the floor
132" Puddled
120" Linen 3" Off-Ground



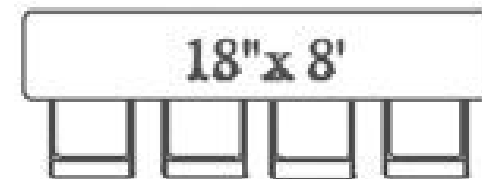
Recommended Seats – 10
132" Linen to the floor
120" Linen 6" Off-Ground



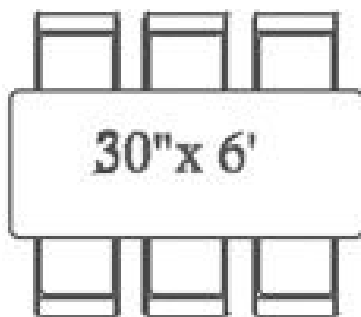
Recommended Seats – 8
132" **Round** Linen to the floor



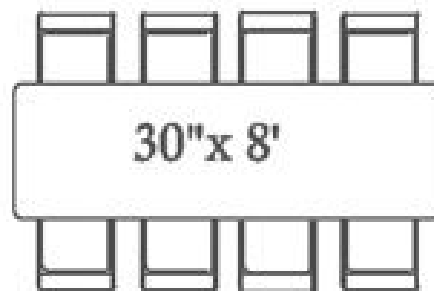
6' Classroom Table
Recommended Seats – 6
90" X 132" Linen to the floor



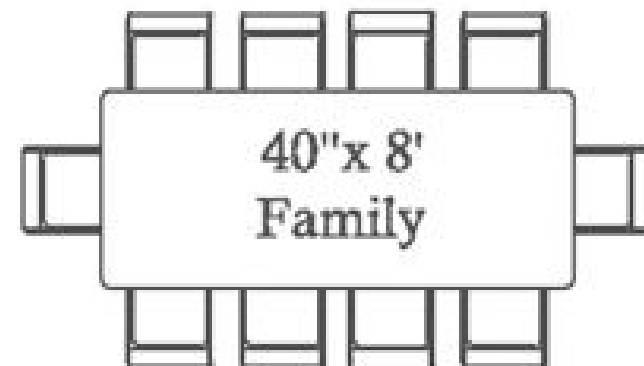
8' Classroom Table
Recommended Seats – 8
90" X 156" Linen to the floor



6' Banquet Table
Recommended Seats – 6
90" X 132" Linen to the floor



8' Banquet Table
Recommended Seats – 8
90" X 156" Linen to the floor



King Table
Recommended Seats – 10
108" X 156" linen to the floor
2 x 90" X 156" Linen to the floor